

№331

---

**EN VACUUM CLEANER**

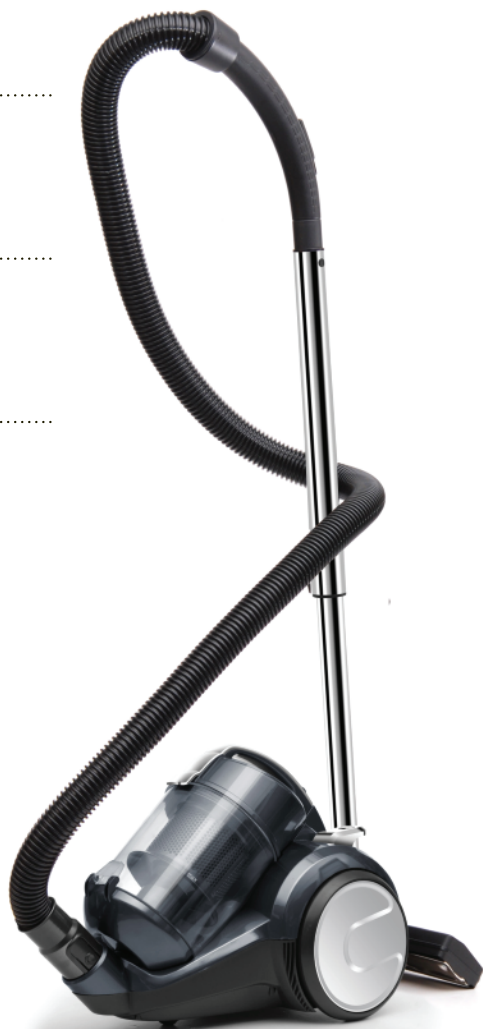
Instruction manual

---

**RU ПЫЛЕСОС**

Инструкция по эксплуатации

---



**CARRERA**

---

DESIGNED IN GERMANY

[www.carrera.de](http://www.carrera.de)

## **Thank you.**

For having placed your trust in CARRERA and for giving us the opportunity to prove you right with our vacuum cleaner.

## **Everything is driven by one idea.**

Each CARRERA appliance follows a clear concept.

We create technology maximizing user friendliness, handling and aesthetics and bringing performance to life. Performance is not just delivered by the motor alone, but results from the skillful interplay of each individual component. You will love our vacuum cleaner from the moment you switch it on.

We call it the **CARRERA** boost.

We have not reinvented the wheel, but we had the courage to do right what is crucial and to dispense with everything that is unimportant.

That is our style. And you will rediscover it in every **CARRERA** appliance.

---

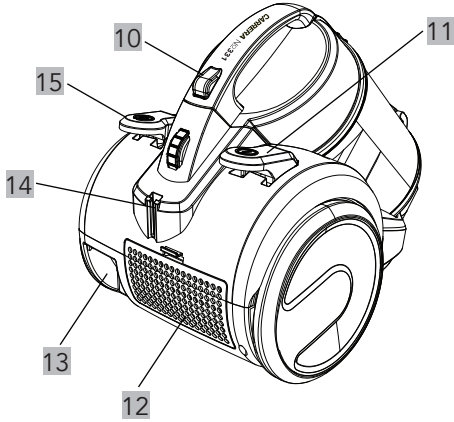
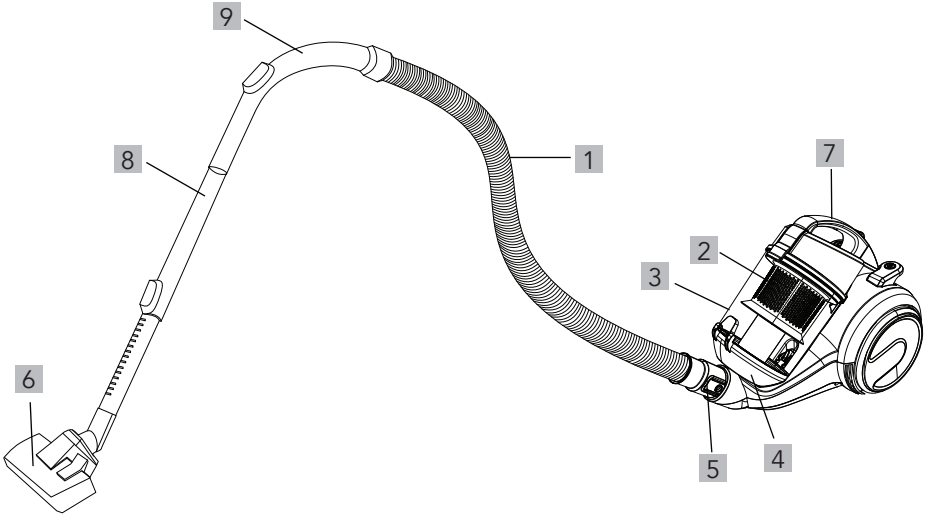
# CONTENTS

---

01	Scope of Delivery/Appliance Parts	1
02	Safety Instructions	3
03	Intended Use	5
04	Before Use	5
05	Operation	7
06	Cleaning and Maintenance	8
07	Troubleshooting	11
09	Technical Data	12
09	Transport and Storage	13
10	Disposal	13
11	Warranty	14
12	Additional Information	15

# 01 SCOPE OF DELIVERY/APPLIANCE PARTS

---



## 01 SCOPE OF DELIVERY/APPLIANCE PARTS

---

- 1 Hose
- 2 Dust filter (inside the dust cup)
- 3 Dust cup
- 4 Bottom of the dust cup
- 5 Suction hose connection
- 6 Floor brush
- 7 Dust cup handle
- 8 Telescopic tube
- 9 Air slide
- 10 Release button for dust bin
- 11 On/off switch button
- 12 Exhaust filter cover
- 13 Power cord
- 14 Bracket for hooking in the floor brush
- 15 Cord rewind button

## 02 SAFETY INSTRUCTION

---

- Before use, inspect the appliance and make sure that there is no mechanical damage to the appliance and the power cord. Do not use the appliance if any damage is found.
- Before use, make sure that the operating voltage of the appliance corresponds to the mains voltage. Connect the device only to the AC power supply (~).
- Do not use the appliance if it fell. The appliance must be checked by a qualified specialist before it is used again.
- If the power cord is damaged, it must be replaced by the manufacturer, the service department or similarly qualified personnel to avoid danger.
- The appliance is intended solely for domestic use. Prolonged use for commercial purposes may overload the appliance, resulting in damage to the appliance or injury to persons.
- Do not use the appliance for purposes other than those for which it is intended.
- Do not leave the appliance unattended when it is switched on. Keep the appliance out of children's reach. Do not allow children to play with the appliance, the box and other packaging to avoid injury or suffocation.
- Do not use the appliance with accessories not included in the scope of
- Do not use the appliance outdoors or on wet surfaces.
- Protect the appliance and the power cord from high temperatures, direct sunlight, dampness and other adverse effects.
- Do not immerse the appliance in water or other liquids or touch it with wet hands. If the appliance gets wet, unplug it immediately.
- Do not pull or attempt to carry the appliance by the power cord. Make sure that the appliance does not run over the power cord.
- When unplugging the appliance, hold the plug and do not pull on the cable.
- Always disconnect the appliance from the mains before assembly, disassembly and cleaning.
- Do not attempt to disassemble or repair the appliance yourself: technical problems that may arise as a result of such actions are not covered by the warranty. Repairs should only be carried out by qualified service personnel.

- The appliance is not intended for use by persons (including children) with reduced physical, sensory or mental capabilities, or lack of experience or knowledge, unless they have been given supervision or instruction concerning use of the appliance by a person responsible for their safety.
- Children should be supervised to prevent them from playing with the appliance.
- Do not use the appliance to clean hard or sharp objects such as glass, nails, screws, coins.
- Do not use the appliance to pick up burning or smoking cigarettes, matches, smoldering ashes, fine dust (e.g. from plaster, concrete, flour or ashes), or toner particles from printers, copiers, etc.
- Do not use the appliance to collect explosive or flammable liquids. Do not use the appliance in places where such liquids are stored.
- Do not attempt to clean pets with the appliance.
- Do not bring the nozzle or tube too close to your body or face.
- Keep the appliance away from microwaves, heaters, fireplaces and stoves.
- Keep hair, loose clothing, fingers or other body parts away from the air inlets of the appliance.
- Before cleaning, remove any sharp or large objects from the floor that could damage the appliance.
- Do not use the appliance if:
  - the dust cup is not installed or is not assembled correctly;
  - filters are not installed.
- Do not use filters if they are damaged or not completely dry.
- Make sure that the air inlets are not blocked or dirty. Do not insert foreign objects into them.
- If the suction power of the appliance suddenly decreases during cleaning, immediately turn the appliance off, unplug the power cord and check if the telescopic tube is clogged. Remove the blockage and only then continue cleaning.
- Always unplug the appliance at the end of use, when cleaning or replacing filters, or when it breaks down.

### 03 INTENDED USE

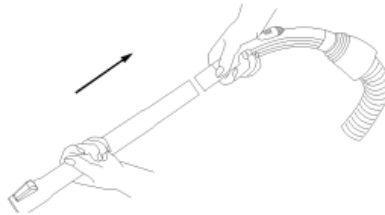
---

The vacuum cleaner is designed for cleaning floor coverings, as well as for cleaning hard-to-reach surfaces, furniture, appliances, etc. in residential areas.

### 04 BEFORE USE

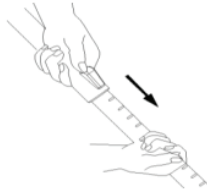
---

- Remove the appliance from its packaging and take the transportation elements off.
- Do not switch the appliance on immediately if you have brought it from the street in cold weather; in this case the appliance should be kept at room temperature for about two hours before switching it on.
- Make sure that the appliance is supplied as specified by the manufacturer and that all components of the appliance and the appliance itself have not been damaged during transportation. If the appliance is damaged or does not function, contact your retailer.
- Make sure that the mains voltage corresponds to the voltage specified in the technical data of the appliance.
- Insert the hose base (1) into the connector on the housing (5) until it clicks into place.



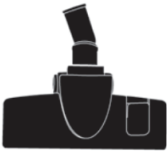


- Connect the hose handle to the telescopic tube (8). Adjust the length of the telescopic tube.



- Install the nozzle you need.

Note: for convenience, you can attach the nozzle directly to the hose.



Floor brush

The floor nozzle is suitable both for carpets and smooth floors. With the foot switch, you can switch between a smooth floor and a carpet.



Crevice & Brush nozzle

Fold over the end piece to convert the crevice nozzle into a brush nozzle.

- The crevice nozzle is suitable for upholstery, cleaning the inside of cars and for all nooks and crannies that cannot be reached with the other nozzles.
- The brush nozzle is suitable for all uneven objects, furniture, lamps, profiles and skirting boards, window ledges, etc.

## 05 OPERATION

---

- Extend the power cord at least two-thirds of its length. The optimum length is between the yellow and red marks. The red mark on the power cord is the maximum length, do not extend the cord beyond this.
- Insert the plug into the power outlet.
- Press the power button (11) to start operation.
- You can adjust the suction power by using the air slide (9) on the hose. When the opening is closed, the air is drawn in more forcefully, and when it is open, the air is drawn less forcefully.
- At the end of the cleaning, press the power button. Unplug the appliance.
- Press the power cord rewind button (15). Hold the cord with your hand to prevent twisting and damage to the cord.

## 06 CLEANING AND MAINTENANCE

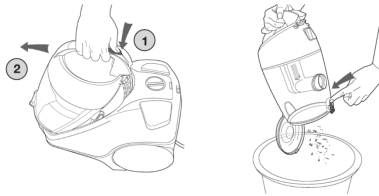
---

- Before cleaning, unplug the appliance and allow it to cool down.
- Wipe the body of the appliance with a damp cloth and allow it to dry.
- Do not use abrasive cleaners or organic solvents to clean the appliance.
- Do not immerse the appliance in water or turn the appliance on when it is wet.
- Check the filters and inlet opening for clogging. Clean the filters regularly.
- For easy storage, the hose can be detached from the vacuum cleaner body. Keep the appliance in a dark cool place out of children's reach.

### Cleaning the dust cup

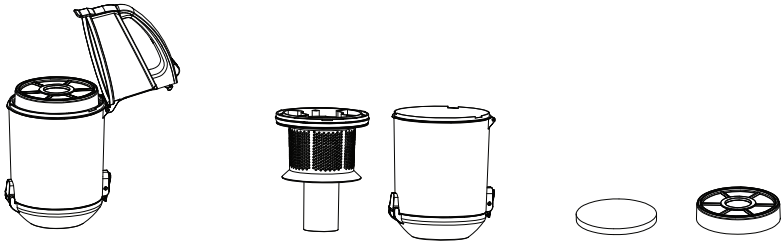
When the suction power decreases, the dust cup must be cleaned.

- Press the button to remove the dust container (3) and pull the cup upwards.
- Place the dust cup over the dustbin. Press the button to open the lid of the container and empty the dust into the bin.
- If necessary, rinse the dust cup with warm water. Allow the cup to dry completely.
- Place the dust cup back into the vacuum cleaner until it clicks. Lift the appliance by the handle to ensure that the container is securely in place.



### Cleaning the internal filter

- Remove the dust cup. Open the dust container lid by releasing the catch on the handle and flipping up the lid.
- Remove the white dust filter and the black foam dust filter. Tap out the contents of the filter over a dustbin and brush off the loose dirt.
- If necessary, the black foam dust filter may be cleaned with warm water. Let the filter dry completely (approximately 24 hours at room temperature).



## WARNING

Never clean the white dust filter with water!

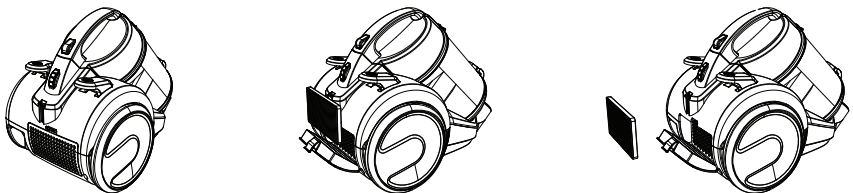
- Put the filters back into the vacuum cleaner and replace the dust cup.

## Cleaning the exhaust filters

The appliance is equipped with two exhaust filters.

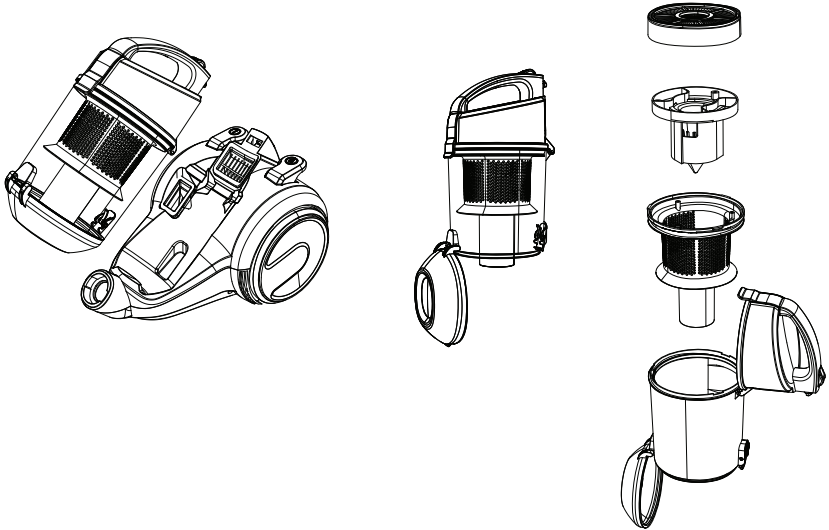
- *Filter on the rear side of the appliance*

Press the catch toward the compartment cover and remove the cover. Remove the exhaust filter from the compartment. Tap the exhaust filter out over a garbage bin and brush off any loose dirt. If necessary, wipe out the compartment with a damp cloth. If necessary, rinse the exhaust filter thoroughly with warm water and let it dry completely. Place the filter back into the vacuum cleaner and close the lid until it clicks into place.



- *Filter inside the dust cup*

Push the release button on the dust cup and pull it out of the appliance by the handle. Remove the exhaust filter from the compartment. Tap the exhaust filter out over a garbage bin and brush off any loose dirt. If necessary, wipe out the compartment with a damp cloth. Place the filter back into dust cup.



**WARNING!**

- Do not use the vacuum cleaner without the dust cup and filters.
- Do not install the dust cup and filters in the vacuum cleaner if they are not completely dry or damaged.
- Do not wash filters in a washing machine or dishwasher.
- Do not use hair dryers or heating appliances to dry the filters.

## 07 TROUBLESHOOTING

Problem	Possible cause	Solution
The appliance does not turn on.	The appliance is not connected to the mains.	Connect the appliance to the mains.
	The appliance is overheated from prolonged use.	Wait for the appliance to cool down completely and turn it on again.
	The appliance is damaged.	Contact an authorized service center.
The suction power of the appliance is insufficient or decreases during operation.	The dust cup is full.	Empty the dust cup.
	Filters, hose, telescopic tube or nozzle are clogged.	Clean or replace the filters. Remove any blockage in the hose, telescopic tube or nozzle.
Bad performance despite the appliance working properly.	The hose does not fit tightly enough on the telescopic tube.	Attach the hose tightly to the telescopic tube.
	The floor brush is in the wrong position.	Depending on the surface, change the position of the floor brush.



### WARNING!

Mechanical damage to the body, accessories and parts is not covered by the warranty.

## 08 TECHNICAL DATA

---

- Model: CRR331
- Power: 2000 W
- Suction power: 23 KPA
- Voltage: 220-240 V~, 50 Hz
- Capacity: 2,5 L
- Protection class: II
- 360° hose rotation
- Net/Gross Weight: 5.5/6.4 KG
- Power cord length: 5 m
- Noise level: up to 78 dB
- Color: grey graphite/titan

## PARTS LIST

- Vacuum cleaner
- Telescopic tube
- Hose
- Floor brush
- 2 in 1 nozzle
- Instruction manual

## 09 TRANSPORT AND STORAGE

---

- Store the appliance in a clean, closed, dry room at an ambient temperature between 5 and 40 °C and a relative humidity of no more than 70 %.
- Transportation of the device can be carried out by all means of transport, in accordance with the rules for the carriage of goods. When transporting in the original packaging, protect the appliance from damage, preventing the exposure to precipitation and aggressive environments.
- When transporting the appliance without original packaging, use bubble wrap and corrugated cardboard packaging. Wrap each element of the appliance in a film and place it vertically in the container. The free distance between the elements of the product must be laid with air bubble wrap or folded cardboard.

## 10 DISPOSAL

---



To protect the environment, do not dispose of appliance and the batteries with household waste. Bring the appliance and batteries to specialized points for further disposal. For more information on the disposal of this product, contact your local authority, your household waste disposal service, or the retailer.



## 11 WARRANTY

---

Organization for warranty service and acceptance of claims:

LLC "MVM", Russia, 105066, Moscow, Nizhnyaya Krasnoselskaya str., 40/12, building 20, floor 5, room II, room 3.

Phone: +7 (495) 644-28-48

Information about the warranty conditions:

<https://www.eldorado.ru/spv>

or by phone Eldorado - 8 (800) 250 25 25

<https://www.mvideo.ru/spv>

or by phone M.Video - 8 (800) 600 77 75

The seller's warranty is 12 months from the date of sale (transfer) of the goods to the Customer.

## 12 ADDITIONAL INFORMATION

---

**Manufacturer:** CARRERA GLOBAL FZCO

**Address:** DSO-IFZA-19795, IFZA Properties, Dubai Silicon Oasis, UAE

Made in China

Importer/Manufacturer's authorized company:

LLC "MVM", Russia, 105066, Moscow, Nizhnyaya Krasnoselskaya str., 40/12, building 20, floor 5, room II, room 3.

E-mail: cert-log@mvideo.ru

Phone: +7 (495) 644-28-48

Installed by the manufacturer in accordance with paragraph 2 of article 5 of the Law of the Russian Federation "On Consumer Protection" the service life of this product is 3 years from the date of sale, provided that the product is used in accordance with the rules and recommendations set forth in this instruction manual and applicable technical standards.

There are no special conditions for the sale.

The date of manufacture is indicated (coded) on the device, where the 1st and 2nd digits from the beginning are the month of manufacture; the next 4 digits are the year of manufacture.

The product is certified, meets the requirements:

TR TS 004/2011 "On the safety of low-voltage equipment",

TRTS 020/2011 "Electromagnetic compatibility of technical means"

TR EAEU 037/2016 "On the restriction of the use of hazardous substances in products of electrical engineering and radio electronics".

## **Спасибо!**

Мы благодарим вас за покупку продукции CARRERA и за готовность убедиться, что наш пылесос – это правильный выбор.

Мы стремимся создавать удобные, красивые и эффективные устройства, в которых высокие технологии сочетаются с комфортом для пользователя. Вы будете получать удовольствие с момента первого включения и в течение многих лет.

Высокая производительность обусловлена не только мощным двигателем, но и эффективным взаимодействием всех компонентов устройства.

Мы называем это «прорывом в стиле **CARRERA**».

И хотя, казалось бы, в этом нет ничего кардинально нового, мы стремимся доводить до совершенства действительно нужное и решительно освободиться от всего лишнего.

Это наш стиль работы. Этот принцип лежит в основе всех устройств **CARRERA**.

---

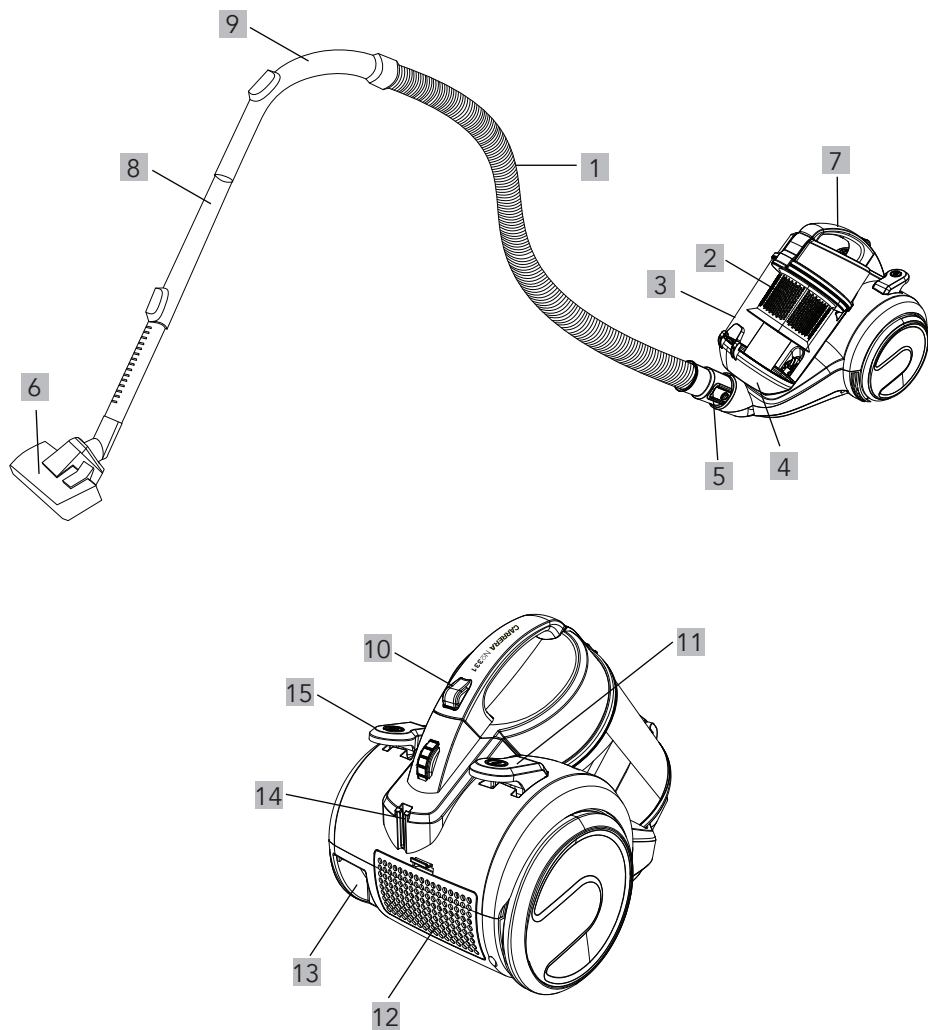
# CONTENTS

---

01	СХЕМА ПРИБОРА	18
02	МЕРЫ БЕЗОПАСНОСТИ	20
03	НАЗНАЧЕНИЕ	22
04	ПОДГОТОВКА К РАБОТЕ	22
05	ЭКСПЛУАТАЦИЯ	24
06	УТИЛИЗАЦИЯ	25
07	ОЧИСТКА И УХОД	28
08	УСТРАНЕНИЕ НЕИСПРАВНОСТЕЙ	29
09	ТЕХНИЧЕСКИЕ ХАРАКТЕРИСТИКИ	30
10	ТРАНСПОРТИРОВКА И ХРАНЕНИЕ	30
11	ГАРАНТИЯ	31
12	ДОПОЛНИТЕЛЬНАЯ ИНФОРМАЦИЯ	32

## 01 СХЕМА ПРИБОРА

---



## 01 СХЕМА ПРИБОРА

---

- 1 Шланг
- 2 Внутренний фильтр (внутри контейнера-пылесборника)
- 3 Контейнер-пылесборник
- 4 Дно контейнера-пылесборника
- 5 Разъем для подсоединения шланга к корпусу
- 6 Комбинированная насадка «пол/ковер»
- 7 Ручка контейнера-пылесборника
- 8 Телескопическая трубка всасывания
- 9 Регулятор потока воздуха
- 10 Кнопка для извлечения контейнера-пылесборника
- 11 Кнопка включения
- 12 Крышка внешнего фильтра
- 13 Шнур питания
- 14 Место для фиксации комбинированной насадки
- 15 Кнопка сматывания шнура питания

## 02 МЕРЫ БЕЗОПАСНОСТИ

---

- Перед началом работы осмотрите прибор и убедитесь в отсутствии механических повреждений на нем и сетевом шнуре. Не используйте прибор в случае обнаружения каких-либо повреждений.
- Перед использованием прибора убедитесь в соответствии рабочего напряжения прибора и напряжения электросети. Подключайте прибор только к источнику переменного тока (~).
- Не следует использовать прибор после падения. Перед повторным использованием прибор должен быть проверен квалифицированным специалистом.
- При повреждении шнура питания его замену во избежание опасности должны производить изготовитель, сервисная служба или подобный квалифицированный персонал.
- Прибор предназначен исключительно для использования в быту. Продолжительное использование прибора в коммерческих целях может привести к его перегрузке, в результате чего он может быть поврежден или может нанести вред здоровью людей.
- Не используйте прибор не по назначению.
- Не оставляйте включенный прибор без присмотра. Храните прибор в недоступном для детей месте. Не разрешайте детям играть с прибором, коробкой и прочими элементами упаковки во избежание травм или удушья.
- Не допускается использование прибора с принадлежностями, не входящими в комплект поставки.
- Не используйте прибор на улице и на мокрых поверхностях.
- Берегите прибор и сетевой кабель от воздействия высоких температур, попадания прямых солнечных лучей, сырости и прочих негативных воздействий.
- Не погружайте прибор в воду или другие жидкости и не прикасайтесь к нему влажными руками. При намокании прибора сразу отключите его от сети.
- Не тяните и не пытайтесь переносить прибор за шнур питания. Следите, чтобы прибор не наезжал на шнур питания.
- Отключая прибор от сети, держитесь за вилку, не тяните за кабель.
- Обязательно отключайте прибор от сети перед сборкой, разборкой и очисткой.

- Не пытайтесь разбирать и ремонтировать прибор самостоятельно: на технические проблемы, которые могут возникнуть в результате этих действий, не распространяется действие гарантии. Ремонт должен производиться только квалифицированными специалистами сервисного центра.
- Прибор не предназначен для использования лицами (включая детей) с пониженными физическими, сенсорными или умственными способностями или при отсутствии у них жизненного опыта или знаний, если они не находятся под присмотром или не проинструктированы об использовании прибора лицом, ответственным за их безопасность.
- Дети должны находиться под присмотром для недопущения игр с прибором.
- Не используйте прибор для уборки твердых или острых объектов, таких как стекло, гвозди, винты, монеты. Это может повредить прибор.
- Запрещается с помощью прибора собирать горячие или дымящиеся сигареты, спички, тлеющий пепел, тонкодисперсную пыль (например от штукатурки, бетона, муки или золы), а также частицы тонера для принтеров, копировальных машин и т. д.
- Запрещается использовать прибор для сбора взрывоопасных или легковоспламеняющихся жидкостей. Запрещается использование прибора в местах хранения таких жидкостей.
- Не пытайтесь очистить с помощью прибора домашних питомцев.
- Не подносите насадку или трубку слишком близко к телу и лицу.
- Держите прибор вдали от микроволновок, обогревателей, каминов и плит.
- Следите за тем, чтобы волосы, а также свободно висящие элементы одежды, пальцы или другие части тела не находились рядом с воздухозаборным отверстием прибора.
- Перед началом уборки уберите с пола все острые или слишком крупные предметы, которые могут повредить прибор.
- Запрещается использовать прибор, если:
  - не установлен или неправильно собран контейнер-пылесборник;
  - не установлены фильтры.
- Не используйте фильтры, если они повреждены или не полностью высохли.



## 03 НАЗНАЧЕНИЕ

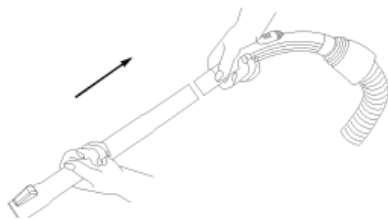
---

Пылесос предназначен для уборки напольных покрытий, а также для очистки труднодоступных поверхностей, мебели, техники и т. д. в жилых помещениях.

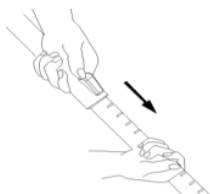
## 04 ПОДГОТОВКА К РАБОТЕ

---

- Извлеките прибор из упаковки, освободив его от транспортировочных элементов.
- Не включайте прибор сразу, если вы принесли его с улицы в холодное время года; в этом случае прибор необходимо выдержать перед включением при комнатной температуре примерно два часа.
- Убедитесь в том, что комплектация соответствует заявленной производителем, а все элементы прибора и сам прибор не были повреждены при транспортировке. Если прибор поврежден или не функционирует, обратитесь к продавцу.
- Убедитесь в том, что напряжение сети соответствует напряжению, указанному в технических характеристиках прибора.
- Вставьте основание шланга (1) в разъем на корпусе (5) до щелчка.



- Подсоедините ручку шланга к телескопической трубке (8). Отрегулируйте длину телескопической трубки.



- Установите нужную насадку.

Примечание: для большего удобства вы также можете установить насадку непосредственно на шланг.



Комбинированная насадка «пол/ковер»

Используйте для уборки ковровых и гладких поверхностей.

Меняйте положение насадки с помощью регулятора на корпусе насадки.



Щелевая насадка/  
насадка-щетка

Используйте щелевую насадку для очистки салона автомобиля, труднодоступных мест и поверхностей, таких как батареи, плинтусы, жалюзи и навесы.

Сложив насадку, вы получите насадку-щетку. Используйте ее для очистки небольших и неровных предметов: аудио- и телевизионной техники, мебели, ламп, оконных проемов и т. д.

## 05 ЭКСПЛУАТАЦИЯ

---

- Вытяните шнур питания как минимум на две трети длины. Оптимальная длина - между желтой и красной отметками. Красная отметка на шнуре питания соответствует максимальной длине - дальше нее шнур вытягивать нельзя.
- Вставьте вилку в розетку электросети.
- Для начала работы нажмите на кнопку включения (9). Поворачивая кнопку, отрегулируйте мощность всасывания.
- Вы также можете изменить силу всасывания с помощью регулятора потока воздуха (4) на шланге. Когда отверстие закрыто, воздух втягивается с большей силой, когда открыто - с меньшей.
- По окончании уборки нажмите на кнопку включения. Отсоедините шнур питания от розетки.
- Нажмите на кнопку сматывания шнура питания. Во избежание перекручивания и повреждения шнура рекомендуется при этом придерживать шнур рукой.

## 06 ОЧИСТКА И УХОД

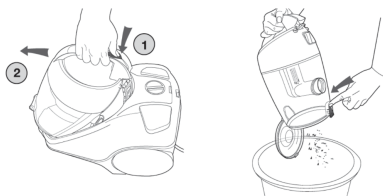
---

- Перед очисткой отключите прибор от сети и дайте ему полностью остыть.
- Протрите корпус прибора влажной тряпкой и дайте ему высохнуть.
- Не используйте абразивные чистящие средства и органические растворители для очистки прибора.
- Не погружайте прибор в воду и не включайте прибор влажным.
- Периодически проверяйте, не образовался ли засор в фильтрах и входном отверстии. Регулярно очищайте фильтры.
- Для удобства в хранении шланг можно отсоединить от корпуса пылесоса. Храните прибор в темном прохладном месте, недоступном для детей.

### Очистка контейнера-пылесборника

Когда мощность всасывания падает, контейнер-пылесборник необходимо очищать.

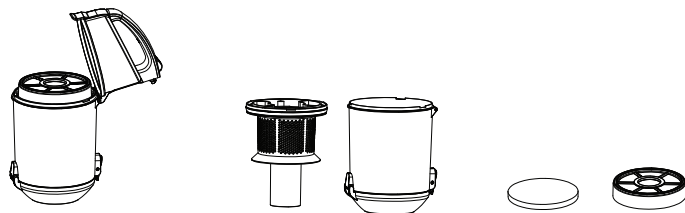
- Нажмите на кнопку, как показано на рисунке, для извлечения контейнера-пылесборника (3) и потяните контейнер вперед.
- Расположите контейнер-пылесборник над мусорным ведром. Откройте крышку контейнера, нажав на кнопку, как показано на рисунке, и вытряхните пыль в мусорное ведро.
- При необходимости промойте контейнер-пылесборник теплой водой. Дайте контейнеру полностью высохнуть.
- Установите контейнер-пылесборник обратно в пылесос до щелчка. Поднимите прибор за ручку, чтобы убедиться, что контейнер надежно установлен.



### Очистка внутреннего фильтра

- Снимите контейнер-пылесборник и, сдвинув защелку, откройте верхнюю крышку.
- Извлеките внутренний белый пылевой фильтр и черный поролоновый пылевой фильтр.

- Осторожно постучите по фильтрам, чтобы вытряхнуть из них пыль, используйте щетку для очистки.
- При необходимости промойте черный поролоновый фильтр теплой водой. Дайте ему полностью высохнуть (примерно 24 часа при комнатной температуре).



**ВНИМАНИЕ!**

Запрещается мыть белый пылевой фильтр водой!

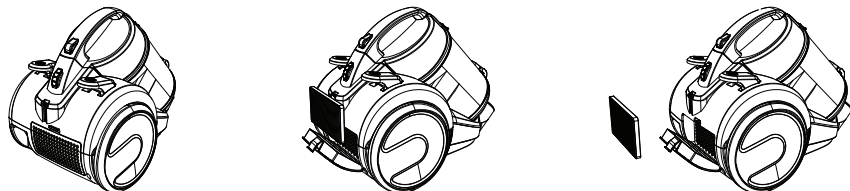
- Установите фильтры обратно в пылесос и установите контейнер-пылесборник на место.

## Очистка внешних фильтров

Прибор оборудован двумя внешними фильтрами.

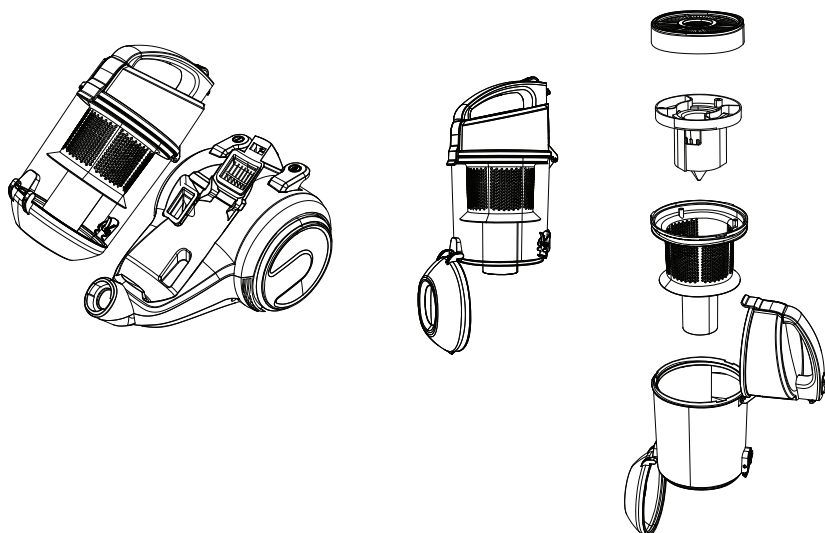
- *Фильтр на задней части корпуса*

Нажмите на защелку на крышке фильтра и извлеките сначала крышку, затем фильтр. Осторожно постучите по фильтру над мусорным ведром и протрите влажной тканью. Удалите мелкие частицы пыли с помощью мягкой щетки. Протрите место установки фильтра влажной тканью. При необходимости промойте фильтр теплой водой и дайте ему полностью высохнуть. Установите фильтр обратно в пылесос и закройте крышкой до щелчка.



- *Фильтр внутри контейнера-пылесборника*

Снимите контейнер-пылесборник и извлеките расположенный в нем фильтр. Осторожно постучите по фильтру над мусорным ведром и протрите влажной тканью. Удалите мелкие частицы пыли с помощью мягкой щетки. При необходимости промойте фильтр теплой водой и дайте ему полностью высохнуть. Протрите место установки фильтра влажной тканью. Установите фильтр обратно в контейнер-пылесборник.



**ВНИМАНИЕ!**

- Не используйте пылесос без контейнера-пылесборника и фильтров.
- Не устанавливайте контейнер-пылесборник и фильтры в пылесос, если они не до конца высохли или повреждены.
- Не мойте фильтры в стиральной или посудомоечной машине.
- Не используйте фены и нагревательные приборы, чтобы высушить фильтры.

## 07 УСТРАНЕНИЕ НЕИСПРАВНОСТЕЙ

Проблема	Возможные причины	Решение
Прибор не включается.	Прибор не подключен к сети.	Подключите прибор к сети.
	Прибор перегрелся от долгого использования.	Подождите, пока прибор полностью остынет, и включите его заново.
	Прибор поврежден.	Обратитесь в авторизованный сервисный центр.
Мощность всасывания прибора недостаточна или снижается во время работы.	Контейнер-пылесборник переполнен.	Очистите контейнер пылесборник.
	Образовался засор в фильтрах, шланге, телескопической трубке или насадке.	Очистите или замените фильтры. Устраните засор в шланге, телескопической трубке или насадке.
Результаты уборки неудовлетворительные, несмотря на исправную работу прибора.	Шланг недостаточно плотно прилегает к телескопической трубке.	Плотно прикрепите шланг к телескопической трубке.
	Насадка находится в неправильном положении.	В зависимости от убираемого покрытия поменяйте положение насадки.



### ВНИМАНИЕ!

Механические повреждения корпуса, аксессуаров и комплектующих частей не являются гарантийным случаем.

## **08 ТЕХНИЧЕСКИЕ ХАРАКТЕРИСТИКИ**

---

- Модель: CRR331
- Мощность: 2000 Вт
- Мощность всасывания: 23 кПа
- Напряжение: 220-240 В~, 50 Гц
- Объем контейнера-пылесборника: 2,5 л
- Класс защиты от поражения электрическим током: II
- Вращение шланга на 360°
- Масса нетто/брутто: 5.5/6.4 кг
- Длина шнура питания: 5 м
- Уровень шума: до 78 дБ
- Цвет: серый графит/титан

## **КОМПЛЕКТАЦИЯ**

- Пылесос
- Телескопическая трубка всасывания
- Шланг
- Комбинированная насадка «пол/ковер»
- Насадка 2 в 1
- Инструкция по эксплуатации



## 09 ТРАНСПОРТИРОВКА И ХРАНЕНИЕ

---

- Храните прибор в чистом закрытом сухом помещении при температуре окружающей среды в диапазоне от 5 до 40 °С и относительной влажности воздуха не выше 70 %.
- Транспортировка прибора проводится всеми видами транспорта в соответствии с правилами перевозки грузов. При транспортировке в заводской упаковке обеспечьте защиту прибора от повреждений, исключив возможность воздействия атмосферных осадков и агрессивной среды.
- При транспортировке без заводской упаковки рекомендуется использовать воздушно-пузырьковую пленку и тару из гофрированного картона. Рекомендуется качественно обернуть каждый элемент прибора в пленку и расположить в таре вертикально. Свободное расстояние между элементами изделия необходимо проложить воздушно-пузырьковой пленкой или сложенным картоном.

## 10 УТИЛИЗАЦИЯ

---



В целях защиты окружающей среды после окончания срока службы прибора и элементов питания, не выбрасывайте их вместе с обычными бытовыми отходами. Передайте прибор и элементы питания в специализированные пункты для дальнейшей утилизации.

Для получения дополнительной информации об утилизации данного продукта, обратитесь в местную службу утилизации бытовых отходов или в магазин, где вы приобрели данный продукт.

## 11 ГАРАНТИЯ

---

Организация по гарантийному обслуживанию и принятию претензий:  
ООО «МВМ», Россия, 105066, г. Москва, ул. Нижняя Красносельская, д.  
40/12, корпус 20, этаж 5, помещение II, комната 3.

Информация об условиях гарантии:

<https://www.eldorado.ru/spv>

или по телефону Эльдorado - 8 (800) 250-25-25

<https://www.mvideo.ru/spv>

или по телефону М.Видео - 8 (800) 600-77-75

Гарантия продавца - 12 месяцев с момента продажи (передачи) товара  
Покупателю.

## 12 ДОПОЛНИТЕЛЬНАЯ ИНФОРМАЦИЯ

---

Изготовитель: CARRERA GLOBAL FZCO

Адрес: DSO-IFZA-19795, IFZA Properties, Dubai Silicon Oasis, ОАЭ

Сделано в Китае

Импортер/Уполномоченное изготовителем лицо: «МВМ», Россия, 105066, г. Москва, ул. Нижняя Красносельская, д. 40/12, корпус 20, этаж 5, помещение II, комната 3.

Телефон: +7 (495) 644-28-48

E-mail: cert-log@mvideo.ru

Установленный производителем в соответствии с п. 2 ст. 5 Закона РФ «О защите прав потребителей» срок службы данного изделия равен 3 годам с даты продажи при условии, что изделие используется согласно правилам и рекомендациям, изложенным в настоящей инструкции по эксплуатации, и применяемым техническим стандартам.

Специальные условия реализации не установлены.

Дата изготовления указана (закодирована) на приборе, где 1 и 2-я цифра с начала – месяц изготовления; следующие 4-е цифры – год изготовления.

Товар сертифицирован, соответствует требованиям:

ТР ТС 004/2011 «О безопасности низковольтного оборудования»

ТР ТС 020/2011 «Электромагнитная совместимость технических средств»

ТР ЕАЭС 037/2016 «Об ограничении применения опасных веществ в изделиях электротехники и радиоэлектроники».

Изготовитель оставляет за собой право изменения комплектации, технических характеристик и внешнего вида товара.

# ***CARRERA***

---

DESIGNED IN GERMANY

[www.carrera.de](http://www.carrera.de)